

POWER POST



The Power Post brings the power directly to your bike. The Post & Ring-style rack features built-in power outlets, allowing simultaneous charging for up to two eBikes. Keep your bikes securely locked while you fill up your batteries and get ready to ride.

Product Specifications

- Two built-in grounded outlets for charging eBikes
- Access port near bottom for electrical plumbing
- Full rectangular tube construction to deter pipe cutters
- Accommodates two standard or electric bikes
- Meets APBP bike parking guidelines

RTL Product Code: CIEBIKE POST EBike Electric Charging Post
Zinc plated finish with two NZ/ AU 230v Plugs.

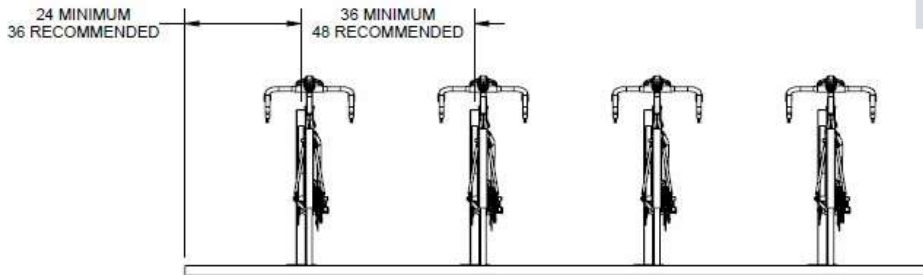
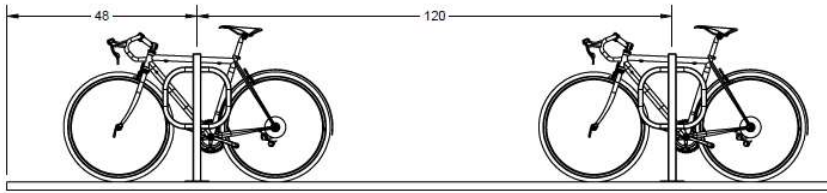
For all New Zealand enquiries, please email sales@rtl.co.nz or cyclinginfrastructure@rtl.co.nz

V1.0



Power Post

Recommended Setbacks



2 electric or Standard bikes



2 x 4" laser cut tube upright
1.25" lock ring



Powder coat zinc-plated



Temporary: 28879
Temporary Secure: 26270
Permanent
Spike Anchor: 6266



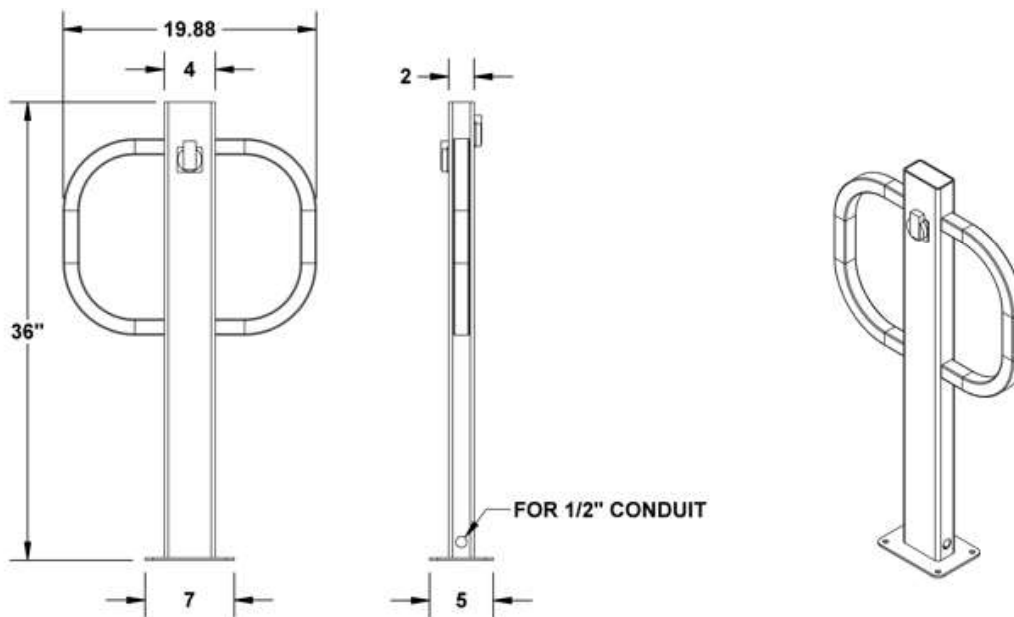
1 year warranty



Made in the USA

Anchors sold separately

Dimensions



Dimensions						
Model	# Bikes	Finish	Weight	Length	Height	Width
34102	2	Powder Coat	22 lbs.	19.88"	36"	5"
34015	2	Zinc Plated	22lbs.	19.88"	36"	5"

Design files and additional product resources available online at sarisinfrastucture.com

For all New Zealand enquiries, please email sales@rtl.co.nz or cyclinginfrastructure@rtl.co.nz