

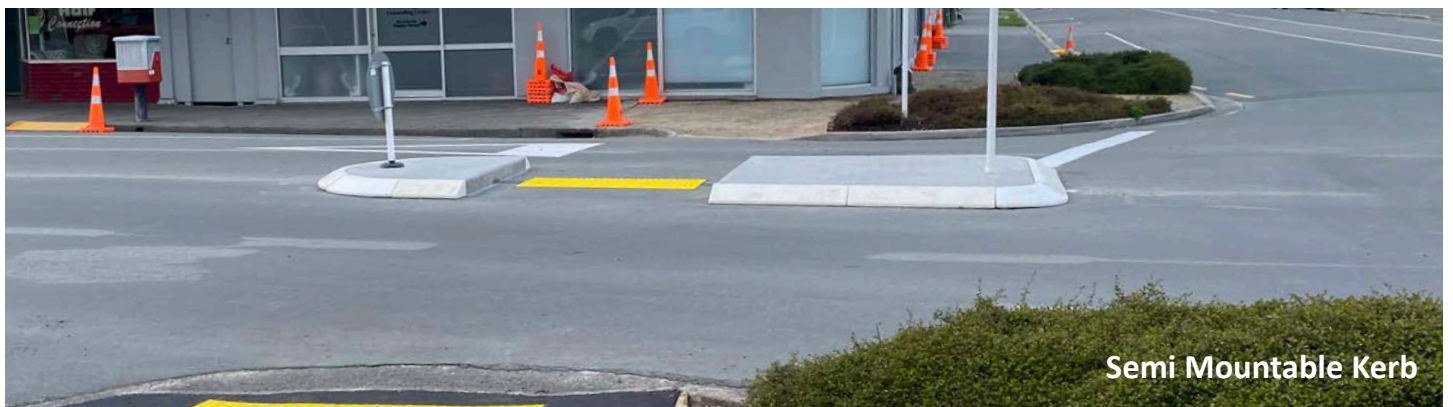


Rubber Kerb

Modular

Our Rubber Kerbs are a great alternative to traditional concrete curbs used for Traffic islands / Mid-block islands, pedestrian crossing islands and refuge splitter islands. The sections are manufactured from recycled rubber giving you a professional looking finish, and being modular in design, the island size can be changed based on the specific site requirements.

The Kerbs are available in two different profiles; semi mountable kerb and semi barrier kerb. Both options are available in 1m straight sections and 300mm, 500mm and 1000mm radius pieces. Custom shapes can be achieved by making basic mitre cuts.



Semi Mountable Kerb



Semi Barrier Kerb

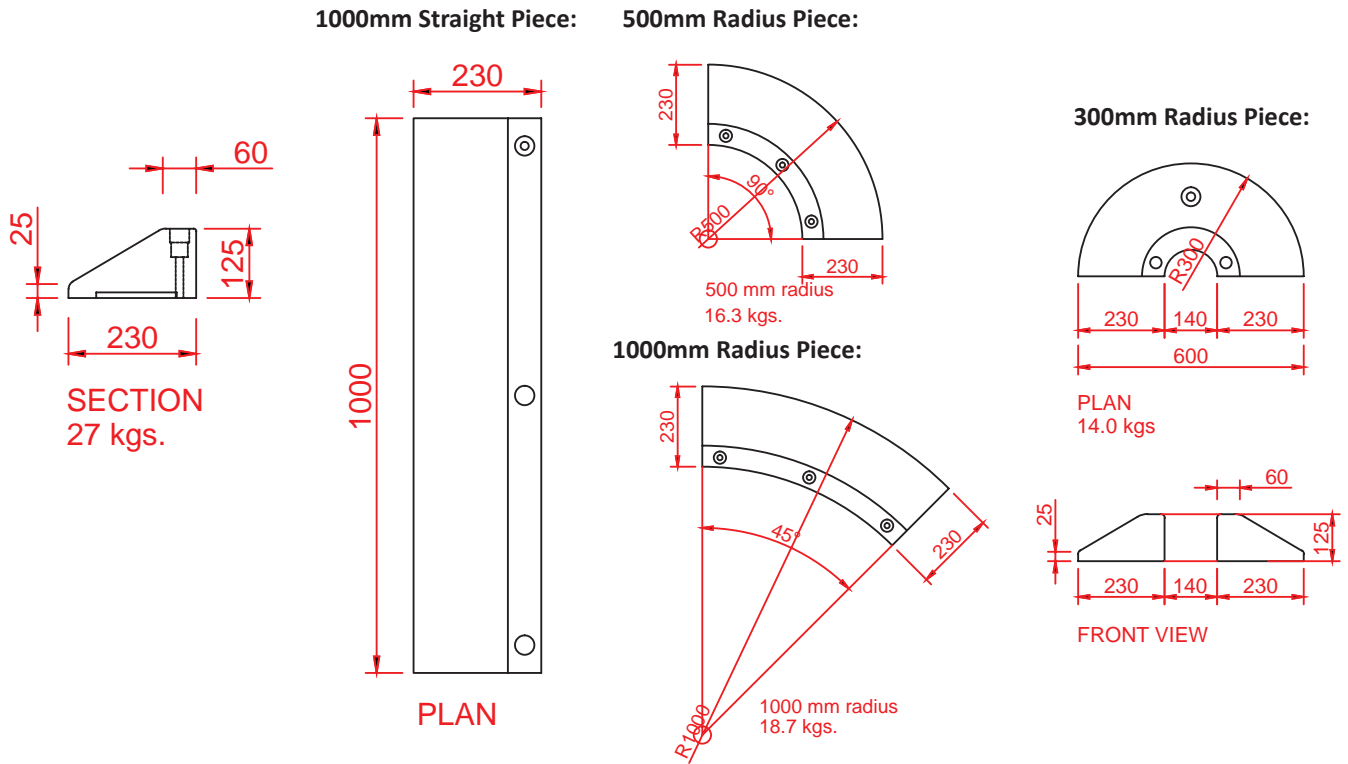
Features & Benefits

- Completely customizable to suit the size you need
- Simple & cost effective installation
- Modular design
- Manufactured from recycle rubber
- Removable & re-useable
- Can be installed onto concrete or asphalt surfaces



Semi Mountable Dimensions

Designs



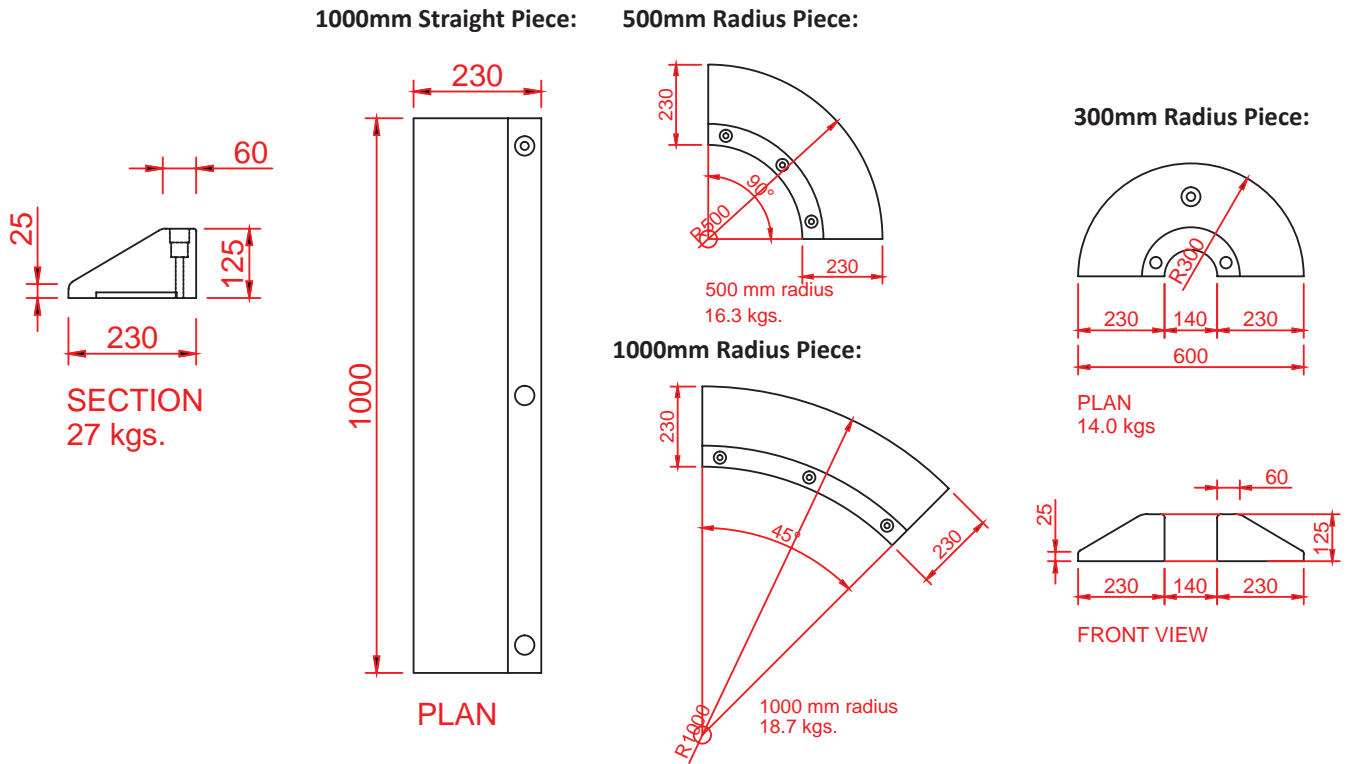
Sections





Semi Barrier Dimensions

Designs



Sections

