

WHEEL CHOCK



SARIS
INFRASTRUCTURE



A simple design for a simple function. The Wheel Chock holds a bicycle upright, so you can more easily inflate tires or make minor adjustments. Available in a floor mount and repair mount option to work wherever you need it. The stylish cut-outs on the sides of the Wheel Chock provide a visual indication of what it's for.

Product Specifications

- Supports bikes without kickstands while inflating tires
- Tire friction stops roll-back, upright position eliminates trip hazard
- Accommodates tires up to 2.75" and wheel diameters up to 29"
- Cannot lock bikes to the Wheel Chock
- ADA compliant

For all New Zealand enquiries, please email sales@rtl.co.nz or cyclinginfrastructure@rtl.co.nz

RTL Product Code: CIWC26190SS



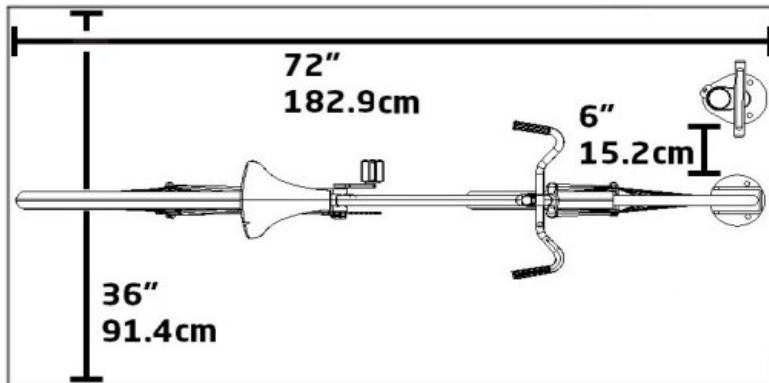
web: www.rtl.co.nz

phone: 0800 785 744

email: sales@rtl.co.nz

Wheel Chock

Recommended Setbacks



- Minimum of 41" from side of Deluxe Public Work Stand to wall or other objects
- Minimum of 47" from back of Deluxe Public Work Stand to wall
- Minimum of 60" from an adjoining street or cycle path



Stainless Steel



Powder Coat
Galvanized
Stainless Steel



Installation hardware
included



2 year
warranty



Made in
the USA



Dimensions							
Model #	Finish	Type of Mount	Weight	Length	Width	Height	Space Requirement
26190C	Powder Coat	Floor	16 lbs.	6"	6"	25.5"	See Back
26190G	Galvanized	Floor	16 lbs.	6"	6"	25.5"	See Back
26190S	Stainless	Floor	16 lbs.	6"	6"	25.5"	See Back
26195C	Powder Coat	Repair Stand	16 lbs.	6"	6"	25.5"	See Back
26195G	Galvanized	Repair Stand	16 lbs.	6"	6"	25.5"	See Back
26195S	Stainless	Repair Stand	16 lbs.	6"	6"	25.5"	See Back

Our Saris Infrastructure representatives can assist with custom layout and spacing to meet your room dimensions and desired bike capacity.

Saris Infrastructure 800.783.7257 www.sarisinfrastructure.com

Downloadable product resources available online:

