

# DELUXE PUBLIC WORK STAND



**SARIS**  
INFRASTRUCTURE



The Deluxe Public Work Stand puts the tools where the people need them — on the trails, near the streets, and in the bike rooms. Nine tools on retractable braided stainless steel cables brings durable, easy to use tools to the hands of cyclists. With a high quality vinyl decal, your branding stands out and reflects your commitment to the benefits of cycling.

## Product Specifications

- Tools securely attach by retractable braided stainless steel cables
- Large surface area for custom branding/signage; optional Saris Infrastructure branding as shown is available by request
- Designed to directly interface with all three Saris Infrastructure High Security manual pumps and Wheel Chock attachments (sold separately)
- Long hose provides wide range of motion without touching the ground
- Impact and UV resistant front plate won't show wear and tear from pedal strikes
- ADA-compliant design

For all New Zealand enquiries, please email [sales@rtl.co.nz](mailto:sales@rtl.co.nz) or [cyclinginfrastructure@rtl.co.nz](mailto:cyclinginfrastructure@rtl.co.nz)

**RTL Product Code:** CIDWS26347S



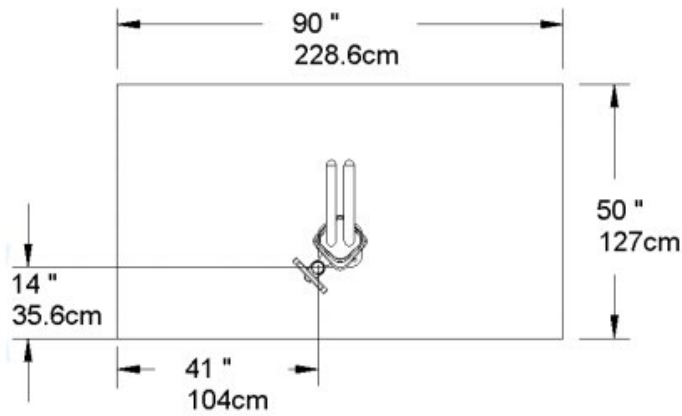
web: [www.rtl.co.nz](http://www.rtl.co.nz)

phone: 0800 785 744

email: [sales@rtl.co.nz](mailto:sales@rtl.co.nz)

# Deluxe Public Work Stand

## Recommended Setbacks



- Minimum of 41" from side of Deluxe Public Work Stand to wall or other objects
- Minimum of 14" from back of Deluxe Public Work Stand to wall
- Minimum of 60" from an adjoining street or cycle path

## Tools Included



- Philips & standard screwdrivers
- Steel core tire levers (2)
- Headset/pedal wrench
- 8/10mm cone wrench
- 9/11mm cone wrench
- Torx T-25
- Hex key set



Thick-walled DOM tubing;  
TIG welded to laser-cut steel;  
stainless steel aircraft cable



Powder Coat  
Galvanized  
Stainless Steel



Installation hardware  
included



2 year  
warranty



Made in  
the USA



Standard Colors

## Dimensions

Model #	Description	Type of Mount	Weight	Length	Width	Height	Space Requirement
26347C	Powder Coat	Flange	84 lbs.	10"	10"	55"	See Back
26347G	Galvanized	Flange	84 lbs.	10"	10"	55"	See Back
26347S	Stainless Steel	Flange	84 lbs.	10"	10"	55"	See Back

Our Saris Infrastructure representatives can assist with custom layout and spacing to meet your room dimensions and desired bike capacity.

Saris Infrastructure 800.783.7257 [www.sarisinfrastructure.com](http://www.sarisinfrastructure.com)

Downloadable product resources available online:



CAD Files



SketchUp Files



Written Specs



Photos