

Cycling Infrastructure



RTL →

New Zealand Agents for



SARIS
INFRASTRUCTURE

Dear

RTL are pleased to introduce our new range of Cycle Infrastructure Products.

Cycling is no longer just a pastime, it's now a truly legitimate, carbon zero mode of transport chosen by many. To encourage people onto bikes we need to ensure the experience is as convenient and easy as jumping in the car.

A well designed and supported cycleway needs the correct infrastructure behind it to give that value option to potential users. Partnering with Saris Industries we introduce a range of supporting products that are an essential part of a cycle network.

As cycle networks develop throughout the country, we need cater to the needs of cyclists by providing products and services that enhance the user experience. The RTL range of repair stands, outdoor pumps and accessories allow for bike repairs on the go without the need to carry cumbersome tool kits and spares.

With 1000's of units installed around the world the repair stands have withstood attempted vandalism and challenging climates to become a top performer.

Install along cycle routes, at the beginning or end of cycle trails or in high congregation areas like universities and shopping precincts.

If you do not find what you are looking for in our brochures or on our website - please contact the Sales Team on 0800 785 744 or sales@rtl.co.nz directly for any further assistance.

Repair Stand Signs (Concept Only):



Auckland 31 Maurice Rd Penrose	Wellington Unit D3 59-61 Marsden St Lower Hutt	Christchurch 8a Cable St Sockburn	Invercargill 88 Bill Richardson Dr Avenal
Ph: 09 259 2600	Ph: 04 232 3774	Ph: 03 336 0086	Ph: 03 211 0300

Check out our new website www.rtl.co.nz



DELUXE PUBLIC WORK STAND

The Deluxe Public Work Stand puts the tools where the people need them — on the trails, near the streets, and in the bike rooms. Nine tools on retractable braided stainless steel cables brings durable, easy to use tools to the hands of cyclists. With a high quality vinyl decal, your branding stands out and reflects your commitment to the benefits of cycling.



Product Details

- Tools securely attach by retractable braided stainless steel cables
- Large surface area for custom branding/signage; optional Bike Fixation branding as shown is available by request
- Designed to directly interface with all three Bike Fixation High Security manual pumps and Wheel Chock attachments (sold separately)
- Long hose provides wide range of motion without touching the ground
- Impact and UV resistant front plate won't show wear and tear from pedal strikes
- ADA-compliant design

Specifications

Model #	Description	Type of Mount	Weight	Length	Width	Height	Space Requirement
26347C	Powder Coat	Flange Mount	84 lbs.	10"	10"	55"	See Back
26347G	Galvanized	Flange Mount	84 lbs.	10"	10"	55"	See Back
26347S	Stainless Steel	Flange Mount	84 lbs.	10"	10"	55"	See Back

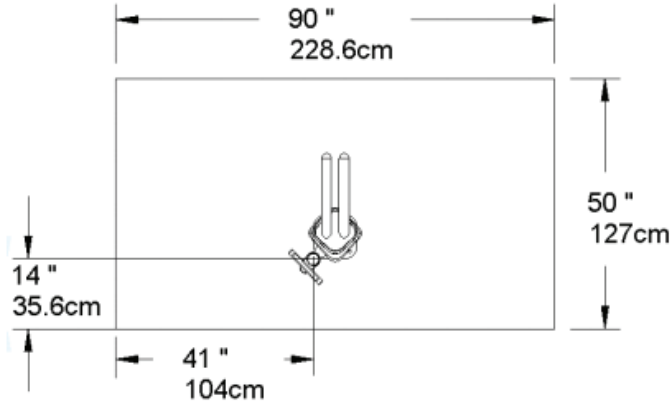
Our Bike Fixation representatives can assist with custom layout and spacing to meet your room dimensions and desired bike capacity.



Deluxe Public Work Stand

Recommended Spacing

- Minimum of 41" from side of Deluxe Public Work Stand to wall or other objects
- Minimum of 14" from back of Deluxe Public Work Stand to wall
- Minimum of 60" from an adjoining street or cycle path



Tools Included:



- Philips & standard screwdrivers
- Steel core tire levers (2)
- Headset/pedal wrench
- 8/10mm cone wrench
- 9/11mm cone wrench
- Torx T-25
- Hex key set



Product Information

Manufactured by Bike Fixation



of Bikes

1 bike



Materials

Thick-walled DOM tubing;
TIG welded to laser-cut steel;
stainless steel aircraft cable



Finish

Powder Coat
Galvanized
Stainless Steel



Hardware

Install hardware included



Spacing

If branding is part of the
installation, the back of the repair
stand should face the trail



Made in the USA



2 year warranty



Standard Colors

Proudly Brought to You By:



0800 785 744

rtl.co.nz

Downloadable product resources available online:



CAD Files



SketchUp Files



Written Specs

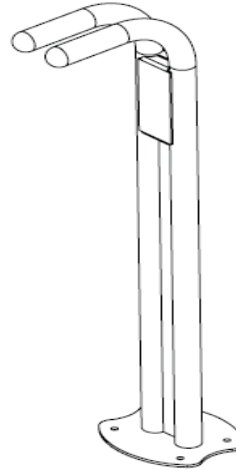


Photos



PUBLIC WORK STAND

The Public Work Stand puts the tools where the people need them – on the trails, near the streets and in the bike rooms. With nine common bicycle tools permanently tethered to a bike holder and designed to be placed either inside or outside, the Public Work Stand will meet the spur-of-the-moment maintenance and repair needs that keep riders on their ride.



- Universal bike mounting – hang by seat or top tube
- Nine common bicycle tools tethered by stainless steel aircraft cable
- Unique I-beam design eliminates possibility of locking a bike to the station
- ADA-compliant design
- QR code link to maintenance instructions for viewing from smart phone
- Installation hardware included

Specifications

Model #	Description	Type of Mount	Weight	Length	Width	Height	Space Requirement
26302C	Powder Coat	Flange Mount	43 lbs.	8.5"	16"	49.5"	See Back
26302G	Galvanized	Flange Mount	43 lbs.	8.5"	16"	49.5"	See Back
26302S	Stainless Steel	Flange Mount	43 lbs.	8.5"	16"	49.5"	See Back

Our Bike Fixation representatives can assist with custom layout and spacing to meet your room dimensions and desired bike capacity.

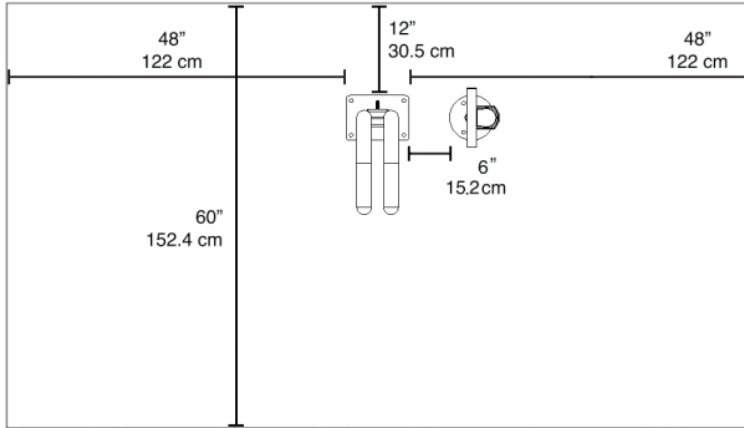


Public Work Stand

Recommended Spacing

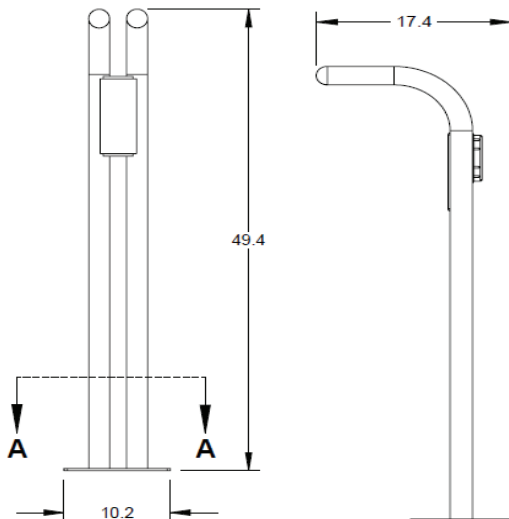
Site Layout:

- Minimum of 48" from side of Public Work Stand to wall or other objects
- Minimum of 12" from back of Public Work Stand to wall
- Minimum of 6" between Public Work Stand and Cycle Air
- Minimum of 60" from perpendicular street
- Minimum of 96" from parallel street



- Philips & standard screwdrivers
- Steel core tire levers (2)
- Headset/pedal wrench
- 8/10mm cone wrench
- 9/11mm cone wrench
- Torx T-25
- Hex key set

Product Dimensions



Proudly Brought to You By:

0800 785 744



rtl.co.nz



Product Information

Manufactured by Bike Fixation



of Bikes

1 bike



Materials

Thick-walled DOM tubing;
TIG welded to laser-cut steel;
stainless steel aircraft cable



Finish

Powder Coat
Galvanized
Stainless Steel



Hardware

Install hardware included



Made in the USA



2 year warranty

Anchors must be purchased separately



Standard Colors

Downloadable product resources available online:



CAD Files



SketchUp Files



Written Specs



Photos



WHEEL CHOCK

A simple design for a simple function. The Wheel Chock holds a bicycle upright, so you can more easily inflate tires or make minor adjustments. Available in a floor mount and repair mount option to work wherever you need it. The stylish cut-outs on the sides of the Wheel Chock provide a visual indication of what it's for.



Product Details

- Supports bikes without kickstands while inflating tires
- Tire friction stops roll-back, upright position eliminates trip hazard
- Accommodates tires up to 2.75" and wheel diameters up to 29"
- Cannot lock bikes to the Wheel Chock
- ADA compliant

Specifications

Model #	Finish	Type of Mount	Weight	Length	Width	Height	Space Requirement
26190C	Powder Coat	Floor Mount	16 lbs.	6"	6"	25.5"	See Back
26190G	Galvanized	Floor Mount	16 lbs.	6"	6"	25.5"	See Back
26190S	Stainless	Floor Mount	16 lbs.	6"	6"	25.5"	See Back
26195C	Powder Coat	Repair Stand Mount	16 lbs.	6"	6"	25.5"	See Back
26195G	Galvanized	Repair Stand Mount	16 lbs.	6"	6"	25.5"	See Back
26195S	Stainless	Repair Stand Mount	16 lbs.	6"	6"	25.5"	See Back

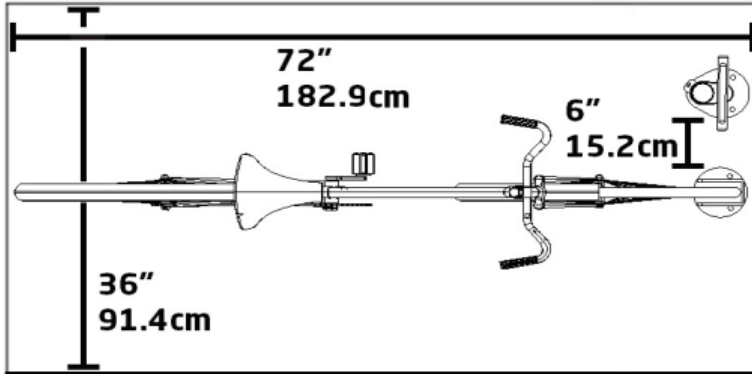
Our Bike Fixation representatives can assist with custom layout and spacing to meet your room dimensions and desired bike capacity.



Wheel Chock

Recommended Spacing

- Minimum of 41" from side of Deluxe Public Work Stand to wall or other objects
- Minimum of 47" from back of Deluxe Public Work Stand to wall
- Minimum of 60" from an adjoining street or cycle path



Product Information

Manufactured by Bike Fixation



of Bikes

1 bike



Materials

Stainless Steel



Finish

Powder Coat
Galvanized
Stainless Steel



Hardware

Installation hardware
included



Made in the USA



2 year warranty



Standard Colors

Proudly Brought to You By:



0800 785 744

rtl.co.nz

Downloadable product resources available online:



CAD Files



SketchUp Files



Written Specs



Photos



OUTDOOR PUMP WITH GAUGE

The High Security Outdoor Pump offers the highest security features to ensure that the pump and its components are ready for action when its needed by the users. Designed for outdoor use in all climates, this pump is a perfect combination of ruggedness, durability and value and is a great solution for campus, city or other public heavy-use settings.



26240 Shown

Product Details

- Outdoor-rated stainless steel construction, completely sealed
- Proprietary long-life piston seal and solid pump rod
- Steel braided air hose core prevents cutting
- Dual pump head works on all bikes
- Longer hose available with mounting clip
- Optional tools attached by stainless steel aircraft cable: (2) tire levers and (1) 15mm open end wrench
- 2 year warranty

Specifications							
Model #	Description	Type of Mount	Weight	Length	Width	Height	Space Requirement
26240	Short Hose	Floor Mount	20 lbs.	8"	8"	30"	See Back
26246	Long Hose	Floor Mount	20 lbs.	8"	8"	30"	See Back
26242	Long Hose	Repair Stand Mount	20 lbs.	8"	8"	30"	See Back

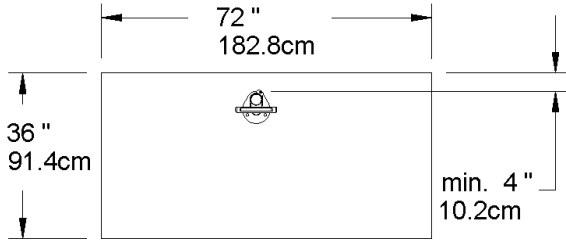
Our Bike Fixation representatives can assist with custom layout and spacing to meet your room dimensions and desired bike capacity.



Outdoor Pump With Gauge

Recommended Spacing

The minimum space requirements for High Security Bike Pumps are meant to allow a cyclist and their bike access to the pump.



Product Information

Manufactured by Bike Fixation



of Bikes

Stainless Steel



Materials

Stainless Steel



Finish

Installation hardware included



Made in the USA



2 year warranty

Proudly Brought to You By:



0800 785 744

rtl.co.nz

Downloadable product resources available online:



CAD Files



SketchUp Files



Written Specs

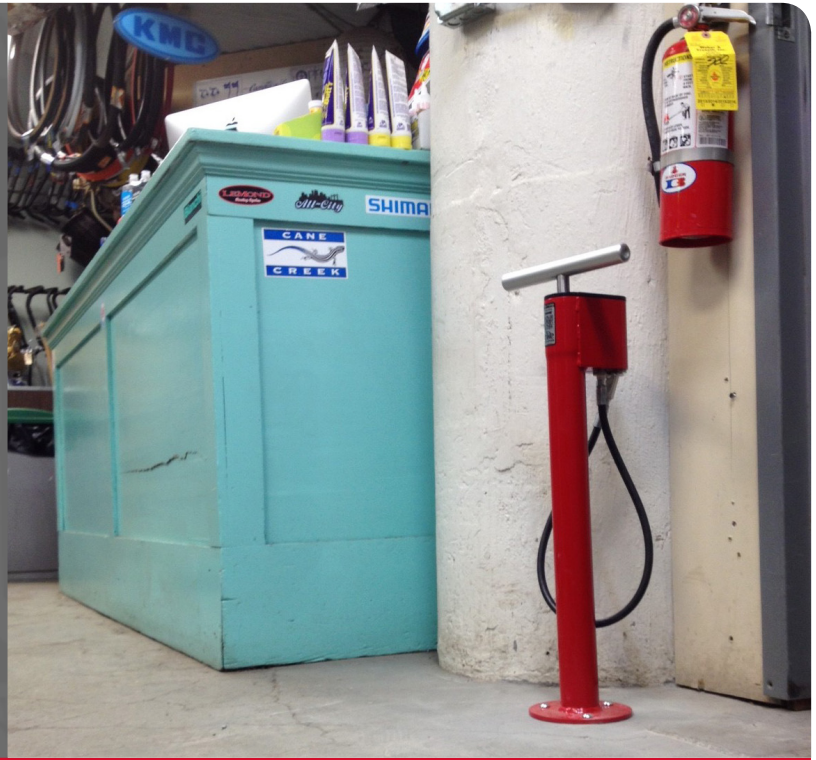


Photos



INDOOR PUMP

The High Security Indoor Pump is a perfect shared-use bike pump for inside installation. It is ideal for bike rooms and parking areas. A high quality, solid stainless steel piston rod, alloy handle and smash proof gauge cover provide maximum vandal resistance and durability. Heavy duty, cut-resistant hose and security fittings hold a replaceable pump head that handles both Presta and Schrader valves with ease.



26248 Shown

Product Details

- Solid stainless steel piston rod, alloy handle, and smash proof gauge cover provide maximum vandal resistance
- Hose with braided steel core provides protection against cutting
- Choice of two hose lengths (18" or 35")
- Universal pump head works with Presta and Schrader valves
- 2 year warranty

Specifications

Model #	Finish	Type of Mount	Weight	Length	Width	Height	Space Requirement
26248	Powder Coat	Flange Mount	20 lbs.	8"	8"	30"	See Back
26252	Powder Coat	Repair Stand Mount	20 lbs.	8"	8"	30"	See Back

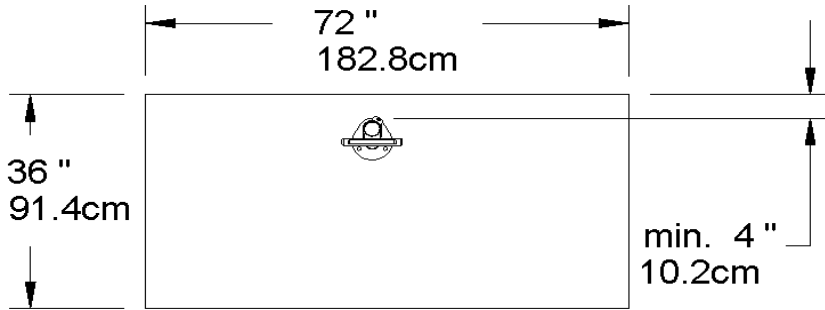
Our Bike Fixation representatives can assist with custom layout and spacing to meet your room dimensions and desired bike capacity.



Indoor Pump

Recommended Spacing

The minimum space requirements for High Security Bike Pumps are meant to allow a cyclist and their bike access to the pump.



Product Information

Manufactured by Bike Fixation



of Bikes

???



Materials

Powder coat



Finish

Installation hardware included



Made in the USA

Made in the USA



2 year warranty

2 year warranty



Standard Colors

Proudly Brought to You By:



0800 785 744

rtl.co.nz

Downloadable product resources available online:



CAD Files



SketchUp Files



Written Specs

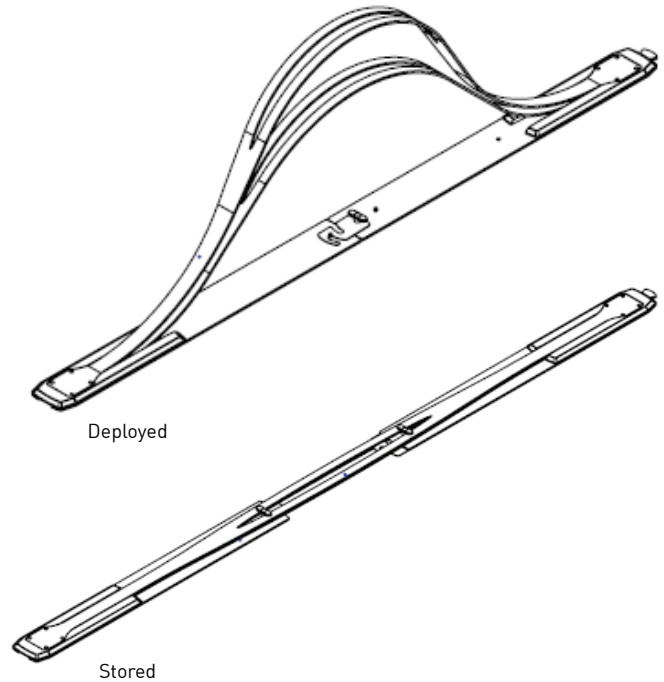


Photos



WAVE DELINEATOR

Protected bike lane, cycle track, Green Lane, low-stress bike lane- whatever your preferred nomenclature, cities in the U.S. have been implementing these on public streets at impressive rates. The Wave Delineator is ideal for temporary pop-up bike lanes when communities want to create a demonstration protected lane or direct bike traffic during day or week-long events.



Specifications					
Model #	Type of Mount	Weight	Length	Width	Height
8700	Freestanding	11 lbs.	93.3"	5.4"	27.4"



WAVE DELINEATOR

Can a bike lane feel SAFE and FUN? If so, will it impact the success of a project and increase enjoyment?

In collaboration with Los Angeles DOT and Gensler Architects, Bike Fixation designed a temporary lane delineator that makes pop-up bike lanes fun and inspiring. Standard bollards, flex posts, and traffic cones make bike lanes feel like construction zones and unpleasant places to be.

The goal was to design a barrier that helps make demonstration projects and events more successful, thereby helping build community support for more permanent infrastructure.

Before:



After:

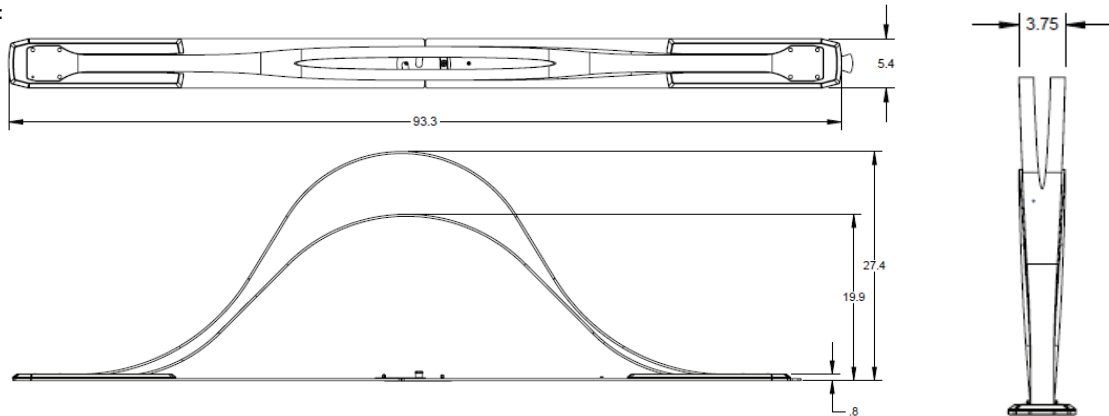


Product Details

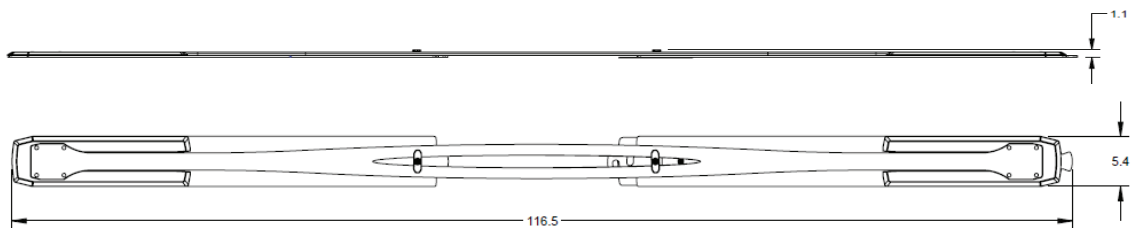
- Aesthetic: wave design with double cut-out
- Easy Deployment: no tools required
- Transportable: lightweight and collapsible
- Robust: thickness optimized for weight and deflection
- Safe: chamfered edges, reflective decals, ADA compliant, optimized height for drivers and cyclists
- Multiple mounting options: freestanding, temporary, and semi-permanent

Product Dimensions

Deployed:



Stored:



Product Information

Manufactured by Bike Fixation



Materials

ABS thermoplastic



Made in the USA

Proudly Brought to You By:



0800 785 744

rtl.co.nz