



DELUXE PUBLIC WORK STAND

The Deluxe Public Work Stand puts the tools where the people need them — on the trails, near the streets, and in the bike rooms. Nine tools on retractable braided stainless steel cables brings durable, easy to use tools to the hands of cyclists. With a high quality vinyl decal, your branding stands out and reflects your commitment to the benefits of cycling.



Product Details

- Tools securely attach by retractable braided stainless steel cables
- Large surface area for custom branding/signage; optional Bike Fixation branding as shown is available by request
- Designed to directly interface with all three Bike Fixation High Security manual pumps and Wheel Chock attachments (sold separately)
- Long hose provides wide range of motion without touching the ground
- Impact and UV resistant front plate won't show wear and tear from pedal strikes
- ADA-compliant design

Specifications

| Model # | Description | Type of Mount | Weight | Length | Width | Height | Space Requirement |
|---------|-----------------|---------------|---------|--------|-------|--------|-------------------|
| 26347C | Powder Coat | Flange Mount | 84 lbs. | 10" | 10" | 55" | See Back |
| 26347G | Galvanized | Flange Mount | 84 lbs. | 10" | 10" | 55" | See Back |
| 26347S | Stainless Steel | Flange Mount | 84 lbs. | 10" | 10" | 55" | See Back |

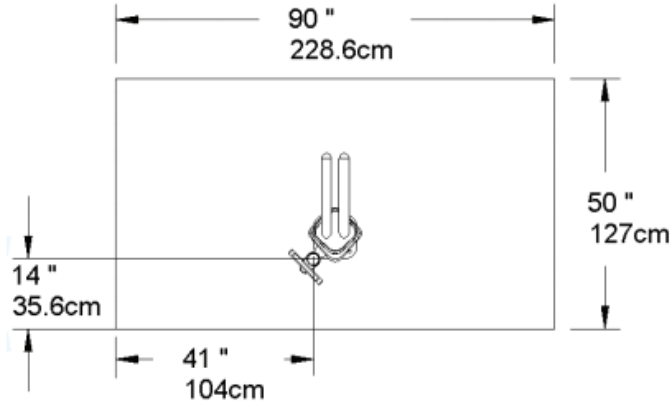
Our Bike Fixation representatives can assist with custom layout and spacing to meet your room dimensions and desired bike capacity.



Deluxe Public Work Stand

Recommended Spacing

- Minimum of 41" from side of Deluxe Public Work Stand to wall or other objects
- Minimum of 14" from back of Deluxe Public Work Stand to wall
- Minimum of 60" from an adjoining street or cycle path



Tools Included:



- Philips & standard screwdrivers
- Steel core tire levers (2)
- Headset/pedal wrench
- 8/10mm cone wrench
- 9/11mm cone wrench
- Torx T-25
- Hex key set



Product Information

Manufactured by Bike Fixation



of Bikes

1 bike



Materials

Thick-walled DOM tubing;
TIG welded to laser-cut steel;
stainless steel aircraft cable



Finish

Powder Coat
Galvanized
Stainless Steel



Hardware

Install hardware included



Spacing

If branding is part of the
installation, the back of the repair
stand should face the trail



Made in the USA



2 year warranty



Standard Colors

Proudly Brought to You By:



0800 785 744

rtl.co.nz

Downloadable product resources available online:



CAD Files



SketchUp Files



Written Specs



Photos